



Farm Machinery Testing and Training Centre
Department of Farm Machinery and Power
College of Agricultural Engineering and Technology
DR. PANJABRAO DESHMUKH KRISHI VIDYAPEETH
AKOLA- 444 104 (MS)



E-mail: fmtt28@gmail.com

Specification sheet for Manually operated seeder

1.1	GENERAL:			
	a)	Name	:	
	b)	Type	:	
	c)	Make	:	
	d)	Serial	:	
	e)	Model	:	
	f)	Year of manufacture	:	
	g)	Different seeds which the drill is designed to sow.	:	
	h)	Source of power	:	
	i)	Recommended travelling speed of the drill	:	
1.2	Construction details			
1.2.1	Handle			
	a)	Type & Material	:	
	b)	Size of handle, mm (L x W)	:	
	c)	Diameter of handle, mm	:	
	d)	Nos. of handel holder	:	
	e)	Size of handle holder, mm (L, OD, ID)	:	
	f)	Method of fixing	:	

1.2.2	Compaction wheel/Pressing wheel																	
	a)	Type & Material	:															
	b)	Diameter of pressing wheel, mm (OD, ID)	:															
	c)	Thickness of pressing wheel, mm	:															
	d)	Size of pressing wheel shaft, mm (Dia. & L)	:															
	e)	Method of Fixing	:															
1.2.3	Leveling plate																	
	a)	Size of levelling plate, mm (Dia. x W x T)	:															
	b)	Method of Fixing	:															
1.2.4	Seed box																	
	a)	Type & Material	:															
	b)	No. of box	:															
	c)	Size of box, mm (L x B x T)	:															
	d)	Capacity of box, kg	:															
1.2.5	METERING MECHANISM:																	
	1) Seed metering device:																	
	a)	Type & Material	:															
	b)	Size of feed shaft, mm	:															
	c)	Size (dia. mm) and number of plate type metering mechanism, number of holes	:	Size ____ x ____ mm and No. of cell and cell size given in following table.														
				<table border="1"> <thead> <tr> <th rowspan="2">Cell Plate No.</th> <th rowspan="2">No. of cells</th> <th colspan="2">Cell size (mm)</th> </tr> <tr> <th>Length</th> <th>Depth</th> </tr> </thead> <tbody> <tr> <td>1</td> <td></td> <td></td> <td></td> </tr> <tr> <td>2</td> <td></td> <td></td> <td></td> </tr> </tbody> </table>	Cell Plate No.	No. of cells	Cell size (mm)		Length	Depth	1				2			
Cell Plate No.	No. of cells	Cell size (mm)																
		Length	Depth															
1																		
2																		

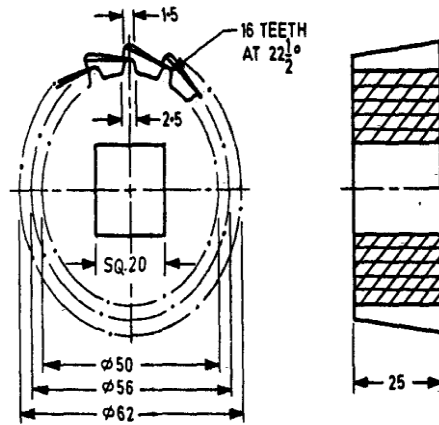


Fig. 2 Cell plate (seed feed roller) (Type-1) as per IS

	d)	Source of power (ground wheel or other)	:	
	e)	Transmission ratio of shaft of seed metering device to land wheel axle	:	
	g)	Type of agitator	:	
	h)	Method of feed rate control for different sizes of seeds	:	
	i)	Provision for closing seed discharge.	:	
	b)	Fertilizer distributor	:	
1.2.5.1	A side round disc			
	a)	Type & Material	:	
	b)	Size of disc, mm (Dia. & T)	:	
	c)	Method of Fixing	:	
1.2.5.2	B side round disc			
	a)	Type & Material	:	
	b)	Size of disc, mm (Dia. & T)	:	
	c)	Cap	:	
	d)	Gear box top cover	:	
	e)	Size of internal cover, mm (Dia. x T)	:	
	f)	Size of outer cover, mm (Dia. x T)	:	

1.2.6	Nozzle plate		
	a)	Material	:
	b)	Nozzle opener sem with tension spring (each nozzle have seed path)	:
	Seed nozzle		
	a)	Nos. of nozzle	:
	b)	Shape of nozzle	:
	c)	Size of nozzle (L x W x T)	:
1.3	MARKER DETAILS:		:
1.4	DETAILS OF ADJUSTMENTS:		
Sr. No.	Adjustments		Methods
1	Feed rate	:	
2	Spacing of nozzle	:	
3	Depth of sowing	:	
4	Height of covering device	:	
5	Reduction ratio of drive mechanism	:	
1.5	Details of safety arrangement for rotating parts		:
1.6	OVERALL DIMENSIONS, mm:		
	a)	Length	:
	b)	Width	:
	c)	Height	:
	d)	Weight with seeds and fertilizers (kg)	:

Place:

Date:

Signature: _____

Name : _____

Designation: _____